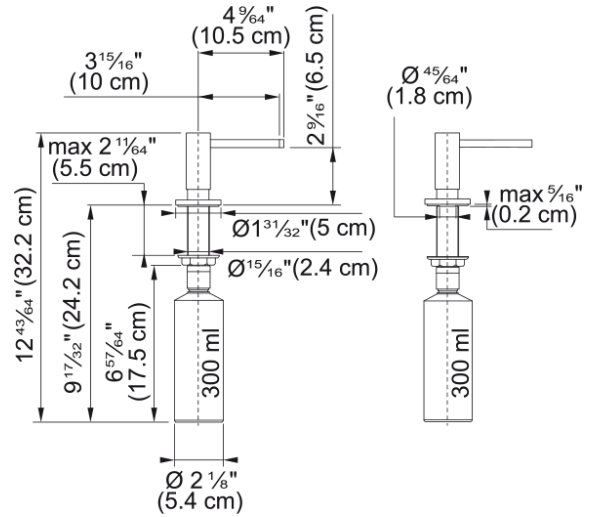


Active Soap Dispenser - ACT-SD-PWT | 112.0633.079



Technical Data

Aspect

Type of material	Brass
Color	Polar white
Accessory type	Soap dispenser

Product identification

Product family	Maris
Collection	Active